



Product Applications

I/O Connector Systems

Sicma



Terminal System Overview



Housing Overview

24 way sealed connector system

Features

Pin header

- Waterproof version easily obtainable
- Stitch-in pin header
- Right and straight angle version for PCB
- Mechanical polarization
- Several colour codings available

Female housing

- High density connector system using 6 x [2.8 mm] and 18 x [1.5 mm] terminals
- 3 rows 5 x 5 mm pitch
- Circumferencial interface seal on female housing
- Rear sealing by a pre-mounted mat-seal
- Pre-assembled front grids support blade terminal guiding and mating
- Terminal position assurance (T.P.A.)
- Easy locking cam, not assembled
- Mechanical polarization
- Several colour codings available

Performance characteristics

- Temperature range: from -40° C to +125° C
- Contact retention force: > 65 N for 1.5 mm terminals > 80 N for 2.8 mm terminals



Tooling

- T.P.A. removal tool: 210S040
- Terminal removal tool
 - Female terminal: 210S041
 - Male terminal: 210S042

Connector compatibility

- Usable terminals:
 - Sicma-3 1.5 mm female terminals
 - Sicma-3 2.8 mm female terminals

Overview of SICMA housings

Construction

- Housing material: PBT
- Interfacial seal: Silicone
- Grommet seal: Silicone
- Tab material and plating: CuZn

Part Numbers	No. of position	Terminal size	Type	Colour
HCCPHPE24BKA90F	24	18 x [1.5 mm] - 6 x [2.8 mm]	Pin header	Black
HCCPHPE24BGYB90F	24	18 x [1.5 mm] - 6 x [2.8 mm]	Pin header	Grey
HCCPHPE24BNC90F	24	18 x [1.5 mm] - 6 x [2.8 mm]	Pin header	Brown
211 PC249S0031	24	18 x [1.5 mm] + 6 x [2.8 mm]	Female housing	Black
211 PC249S1031	24	18 x [1.5 mm] + 6 x [2.8 mm]	Female housing	Brown
211 PC249S8031	24	18 x [1.5 mm] + 6 x [2.8 mm]	Female housing	Grey
HCCPHPE2424BKA00F	24	18 x [1.5 mm] + 6 x [2.8 mm]	Pin header straight	Black



Product Applications

I/O Connector Systems

Sicma



Terminal System Overview

24 way sealed connector system

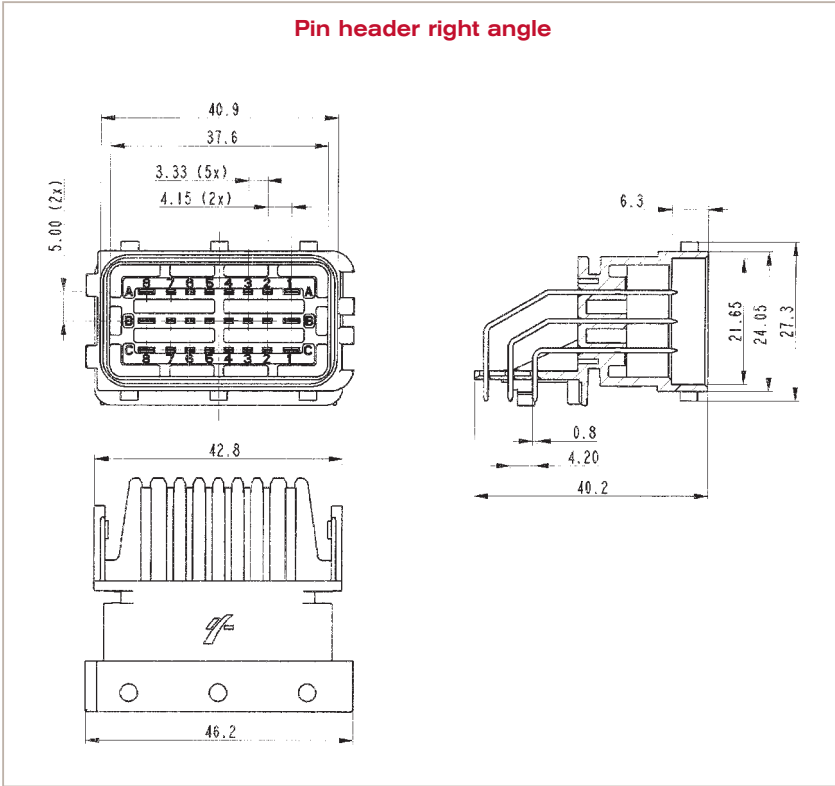


Housing Overview

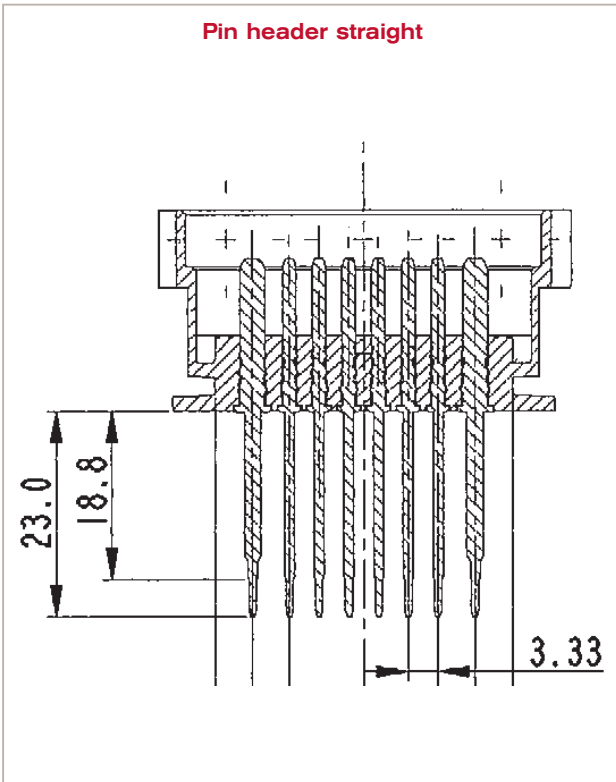
Dimensional characteristics

Notes:

Pin header right angle



Pin header straight



Female housing

